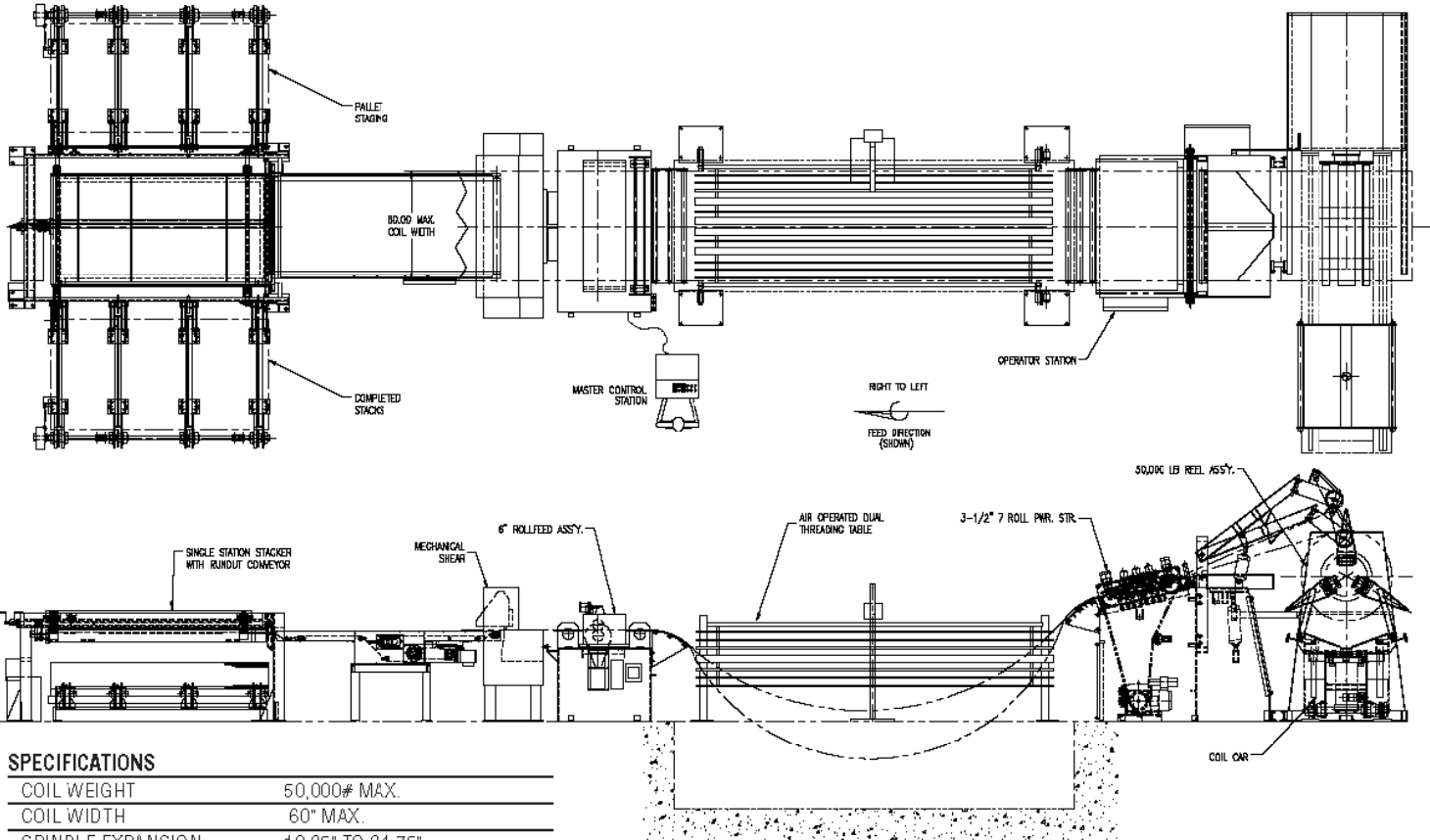


Cut-to-Length Line

Findlay Products Corporation (Findlay, OH) Automotive Supplier - Cut-to-Length Line



SPECIFICATIONS

COIL WEIGHT	50,000# MAX.
COIL WIDTH	60" MAX.
SPINDLE EXPANSION	19.25" TO 24.75"
COIL O.D.	72" MAX.
MATERIAL BEING RUN	MCRS
MATERIAL THICKNESS	.100 @ 60" WIDE
FEED LENGTH ACCURACY	± .003"
FEED LENGTH	96"
ROLL REED SPEED	300 FPM
LINE SPEED	100 FPM
SHEAR SPEED	40 SPM MAX. 10 SPM @ 96"
MAX. BLANK SIZE	60" X 96"

**60" wide x 50,000# CTL
w/Mechanical Shear and Drop Stacker**

